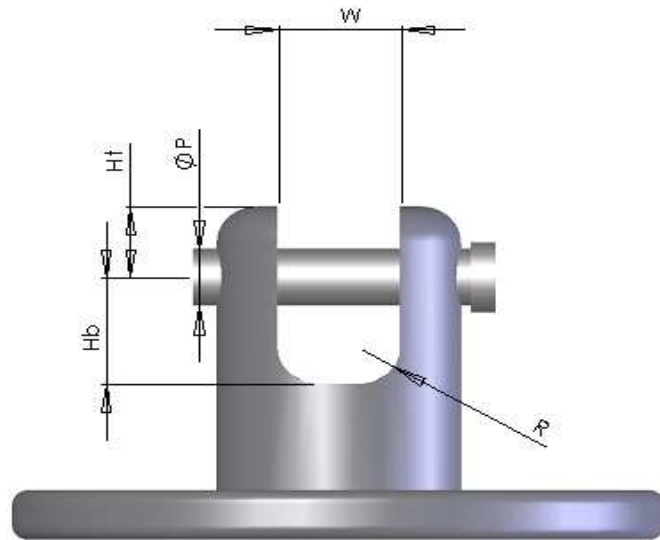


1 FURLER AND FORK DIMENSIONS



1.1 STAY LENGTH:

Stay type	Length Cp-Cp
	mm
	Length Bp-Bp
	mm

1.2 DRUM OR FORK DIMENSIONS:

	Brand/ type	SWL	BL	Width	Ø Pin	Hb	Ht	R
		[kg]	[kg]	[mm]	[mm]	[mm]	[mm]	[mm]
Bottom end								
Top end								